

## SPECIFICATION

JCB E-TECH



### ELECTRIC TELETRUK | 30-19E - 35-22E

Max capacity: 3000-3500kg Max capacity at 2m reach: 1900-2200kg Max lift height: 4000mm

JCB



# 100% electric. Zero emissions.

JCB is leading the way in clean technology and reducing harmful emissions. That's why we are introducing JCB E-TECH, a new generation of electric products with zero emissions at point of use that don't compromise on performance. The JCB electric Teletruk is the world's most versatile counterbalance forklift. Unique forward reach allows single side truck, van and container loading and unloading.



## GREATER PRODUCTIVITY.

With a choice of two models, the new JCB electric Teletruk range is designed to make the most of your time and space.



## GREATER SAFETY.

With superb visibility and precision control, the Teletruk makes all operators feel in total control within any environment and in any application.

## GREATER VERSATILITY.

With forward reach, low height and small turning circle, the unique JCB electric Teletruk is the world's most versatile counterbalance lift truck.



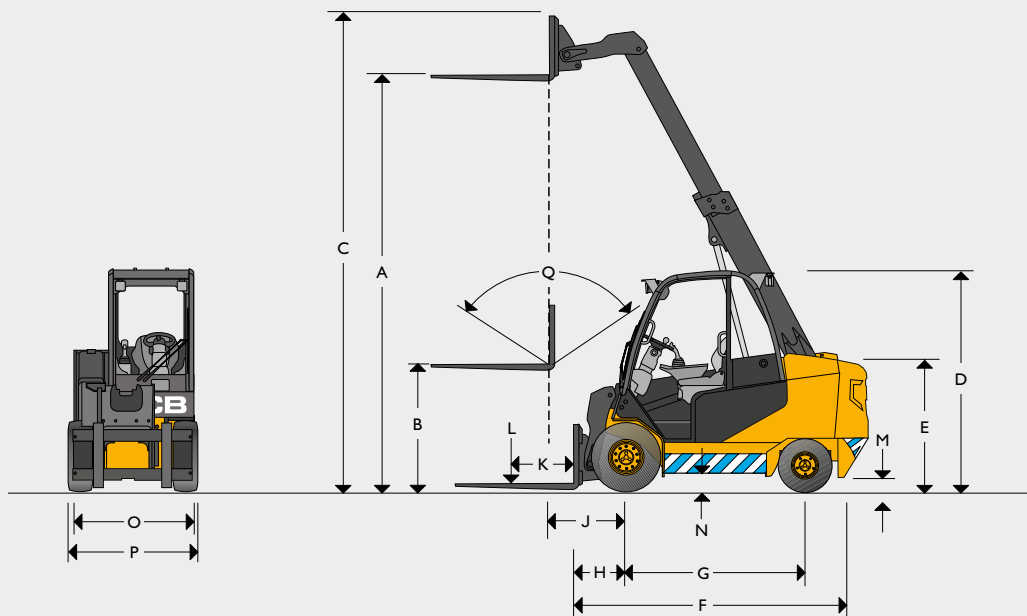
## GREATER CARE.

With zero emissions and low noise, both electric Teletruk models are ideal for 24/7 operation in urban environments and noise sensitive areas.

## GREATER COMFORT.

The latest JCB CommandPlus cab ensures superior operator comfort throughout the working day, enabling you to gain maximum productivity.

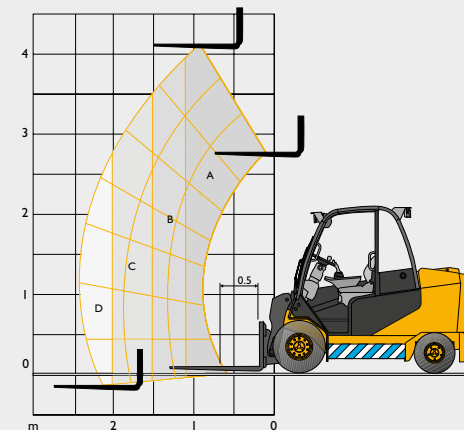
STATIC DIMENSIONS



STATIC DIMENSIONS

Model	30-19E	35-22E	
A	Lift height mm	4000	4000
B	Free lift (standard) mm	1575	1575
C	Height (boom extended) mm	4625	4625
D	Height of overhead guard (standard/low) mm	2245	2245
E	Height of operators seat mm	1071	1071
F	Length to fork face mm	3000	3080
G	Wheelbase mm	1800	1800
H	Distance from c/l of front axle to fork face mm	515	515
J	Distance from c/l of front axle to fork face (full height) mm	715	715
K	Load centre mm	500	500
L	Lift capacities (with sideshift) kg	3000	3500
M	Ground clearance (lowest point) mm	143	143
N	Ground clearance (wheelbase centre) mm	172	172
O	Fork carriage width mm	1200	1200
P	Maximum width of machine mm	1295	1295
Q	Carriage tilt total degrees	111	111

LIFT CAPACITIES



Capacity bands	30-19E	35-22E
A	3000 kg	3500 kg
B	2500 kg	3000 kg
C	1900 kg	2200 kg
D	1600 kg	1800 kg
@ 2 metres	1900 kg	2200 kg

GENERAL SPECIFICATION

Model	30-19E	35-22E
Working pressure attachments bar	260	260
Oil flow for attachments (standard / high) lpm	28 / 70	28 / 70
Maximum reach ground level (500mm load centre) mm	2230	2230
Maximum reach boom horizontal (500mm load centre) mm	2390	2390
Turning radius mm	2550	2590
Aisle width 90 stacking 800x1200/1000x1200	4000	4000
Weight unladen kg	5600	5950
Travel speed (standard) kph	18	18
Gradeability (unladen)	21	21
Transmission	ELECTRIC	ELECTRIC
Park brake type	HAND	HAND
Tyres PPS (Semi solid) P (Pneumatic)	PPS	PPS
Tyre size front (standard)	27x10x12	27x10x12
Tyre size rear (standard)	21x8x9	21x8x9





100% electric. Zero emissions.

Your nearest JCB dealer

### Electric Teletruk 30-19E - 35-22E

Max capacity: 3000-3500kg Max capacity at 2m reach: 1900-2200kg Max lift height: 4000mm

JCB Sales Limited, Rocester, Staffordshire, United Kingdom ST14 5JP.

Tel: +44 (0)1889 590312 Email: [salesinfo@jcb.com](mailto:salesinfo@jcb.com)

Download the very latest information on this product range at: [www.jcb.com](http://www.jcb.com)

©2022 JCB Sales. All rights reserved. No part of this publication may be reproduced, stored in a retrieval system, or transmitted in any form or by any other means, electronic, mechanical, photocopying or otherwise, without prior permission from JCB Sales. All references in this publication to operating weights, sizes, capacities and other performance measurements are provided for guidance only and may vary dependant upon the exact specification of machine. They should not therefore be relied upon in relation to suitability for a particular application. Guidance and advice should always be sought from your JCB Dealer. JCB reserves the right to change specifications without notice. Illustrations and specifications shown may include optional equipment and accessories. All images are correct at time of print. The JCB logo is a registered trademark of J C Bamford Excavators Ltd.

